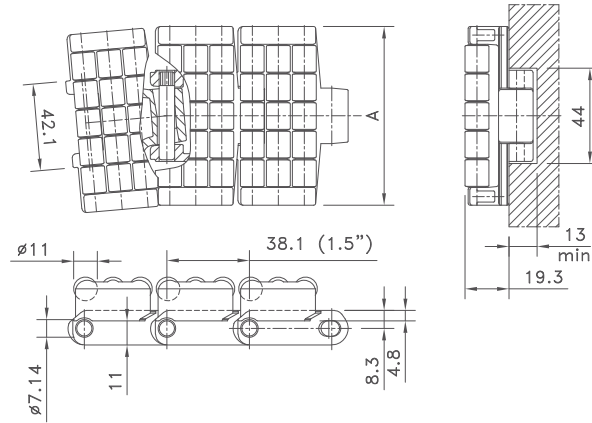


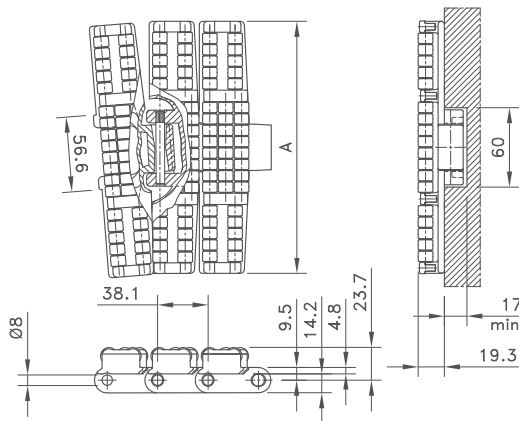
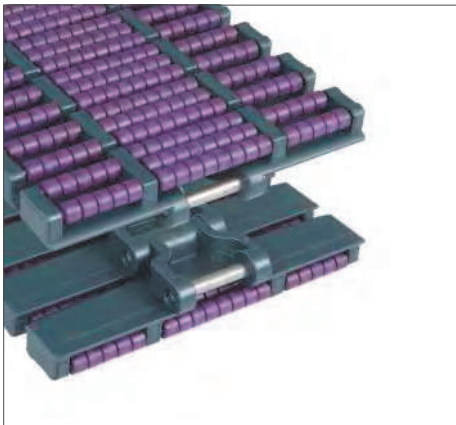
Magnetflex® LBP



Chain Type	Code Number	Plate Width A		Weight kg/m	Sideflex Radius (min) mm	Working Load (max.) N (21°C)	Backflex Radius (min) mm	Plate Thickness mm
		mm	inch					
XLA-Acetal								
RHMD 325 LBP	752.87.09	82.5	3.25	2.29	500	2100	400	4.8

Standard length: 1.524 m - 5 feet (40 links)

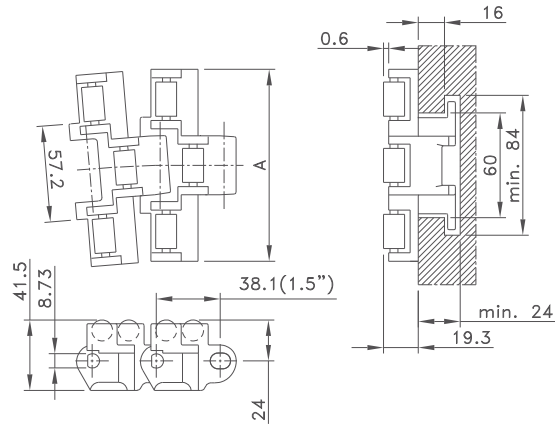
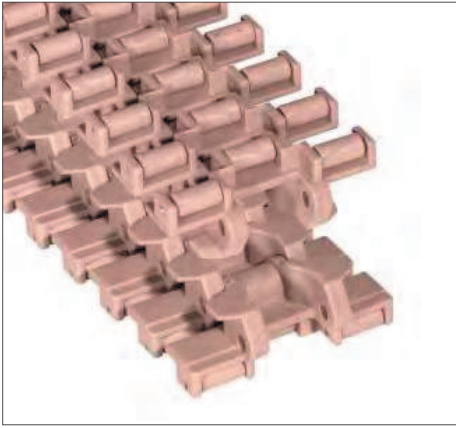
Magnetflex® Heavy Duty LBP



Chain Type	Code Number	Plate Width A		Weight kg/m	Sideflex Radius (min) mm	Working Load (max.) N (21°C)	Backflex Radius (min) mm	Plate Thickness mm
		mm	inch					
XLA-Acetal								
HDFM 750 LBP	752.88.13	190.5	7.50	4.28	610	3830	200	4.8
HDFM 1000 LBP	752.88.19	254.0	10.00	5.23				
HDFM 1200 LBP	752.88.20	304.8	12.00	5.83				

Standard length: 1.524 m - 5 feet (40 links)

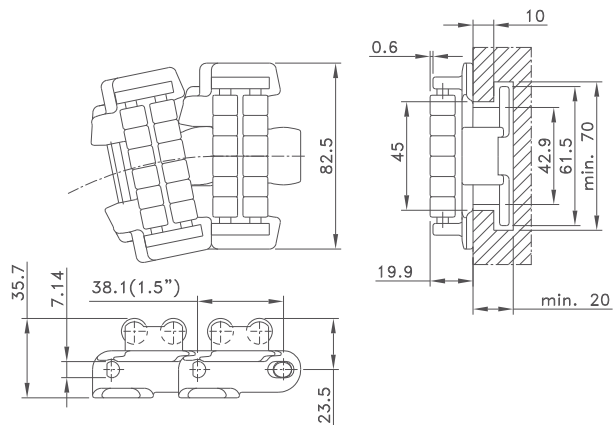
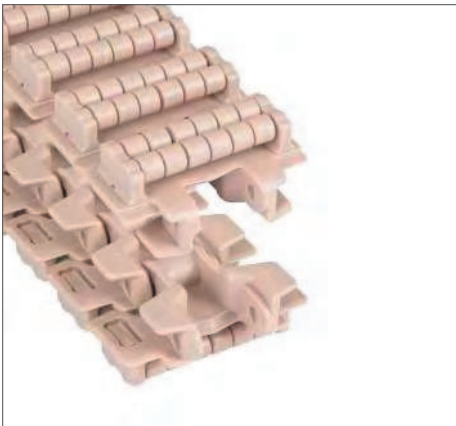
Standard Radius Single Hinge LBP



Chain Type	Code Number	Plate Width A		Weight kg/m	Sideflex Radius (min) mm	Working Load (max.) N (21°C)	Backflex Radius (min) mm	Plate Thickness mm
		mm	inch					
LF-Acetal								
LBP 883 TAB-K450	LBP883TK4.5	114.3	4.50	2.50	610	3830	51	4,8
LBP 883 TAB-K750	LBP883TK7.5	190.5	7.50	3.40				

Standard length: 3.048 m - 10 feet (80 links)

Small Radius Single Hinge Tab LBP

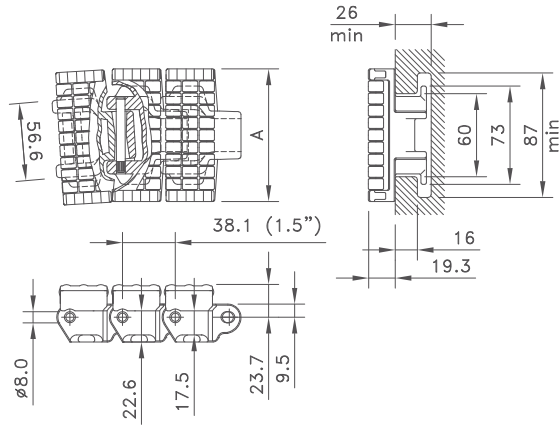
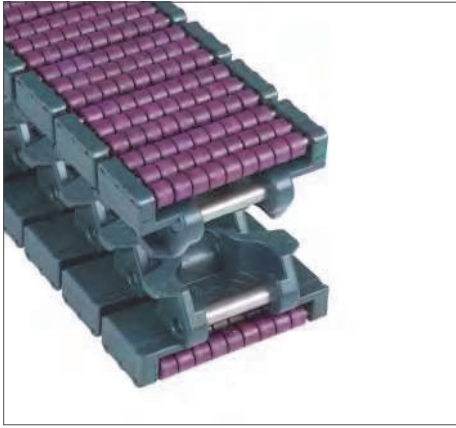


Chain Type	Code Number	Plate Width A		Weight kg/m	Sideflex Radius (min) mm	Working Load (max.) N (21°C)	Backflex Radius (min) mm	Plate Thickness mm
		mm	inch					
LF-Acetal								
LBP 879 TAB BO-K325	L0879605482	82.5	3.25	1.08	200	2100	100	4.8

Standard length: 3.048 m - 10 feet (80 links)

* Minimum order quantity 30.48 m - 100 feet.

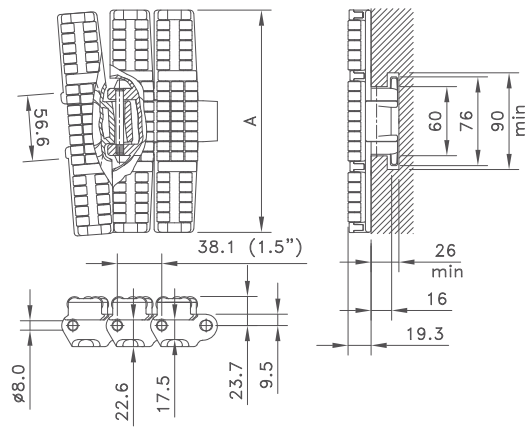
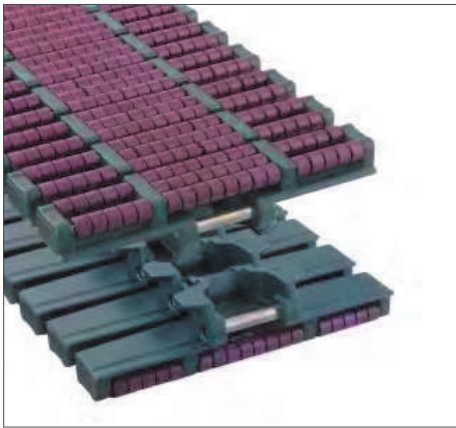
Sideflex Heavy Duty Tab LBP



Chain Type	Code Number	Plate Width A		Weight kg/m	Sideflex Radius (min) mm	Working Load (max.) N (21°C)	Backflex Radius (min) mm	Plate Thickness mm
		mm	inch					
XLA-Acetal								
HDF 375 LBP	752.89.09	95.3	3.75	3.30	667	3830	200	4.8

Standard length: 1.524 m - 5 feet (40 links)

Sideflex Heavy Duty Tab LBP



Chain Type	Code Number	Plate Width A		Weight kg/m	Sideflex Radius (min) mm	Working Load (max.) N (21°C)	Backflex Radius (min) mm	Plate Thickness mm
		mm	inch					
XLA-Acetal								
HDF 750 LBP	752.89.13	190.5	7.50	4.50	610	3830	200	4.8
HDF 1000 LBP	752.89.19	254.0	10.00	5.71				
HDF 1200 LBP	752.89.20	304.8	12.00	6.38				

Standard length: 1.524 m - 5 feet (40 links)